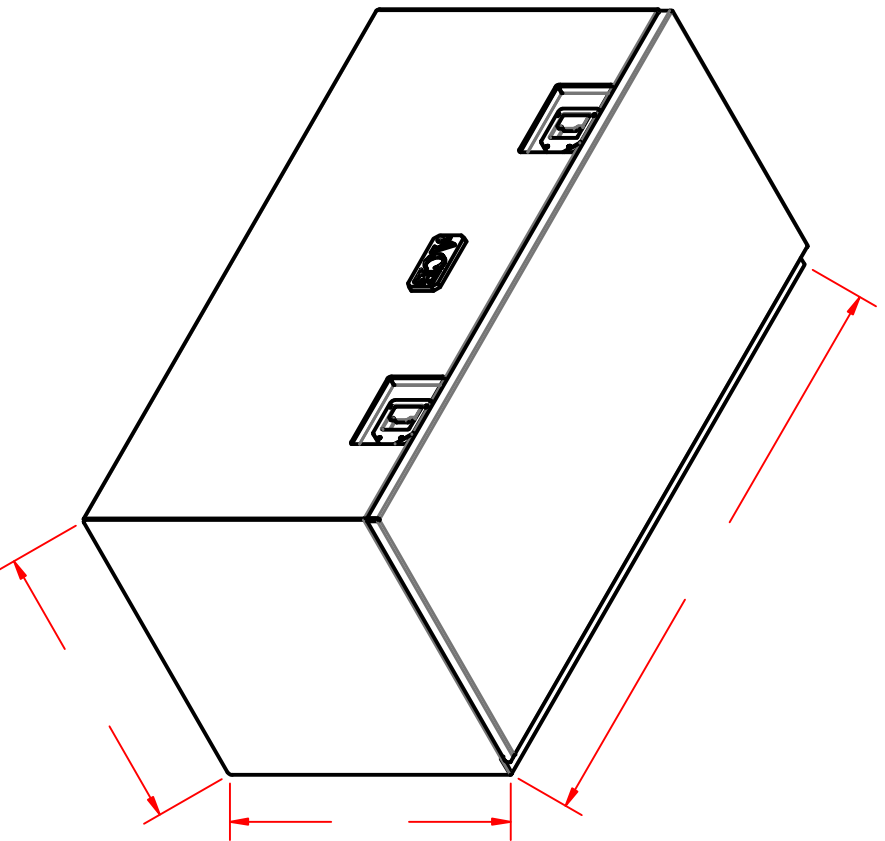


**PART#**

**QTY**

**W/O#**

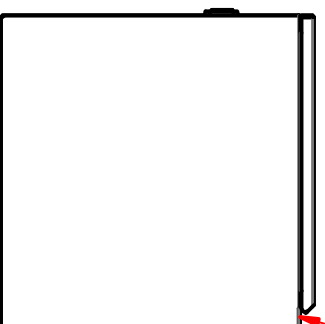
- BODY:  SMOOTH  CHECKER PLATE  
 DOOR:  SMOOTH  CHECKER PLATE  
 NAME:  ACE  NONE  
 PLATE:  CUSTOMER'S



MOUNT KIT:  T81  T82  NONE

CHECK CHAINS:  YES  NO

GAS STRUTS:  YES  NO



NOTE: OFFSET ALLOWS DOOR TO OPEN OVER 90°

**ACE Manufacturing Inc.**

|                  |                    |
|------------------|--------------------|
| DSGN BY: Mike S  | CHK'D BY: Mike S   |
| DRWN BY: Mike S  | DATE: May 29, 2007 |
| Modified: Mike S | DWG #              |
|                  | REV                |

Chest Style Box  
 Double Slam Latch