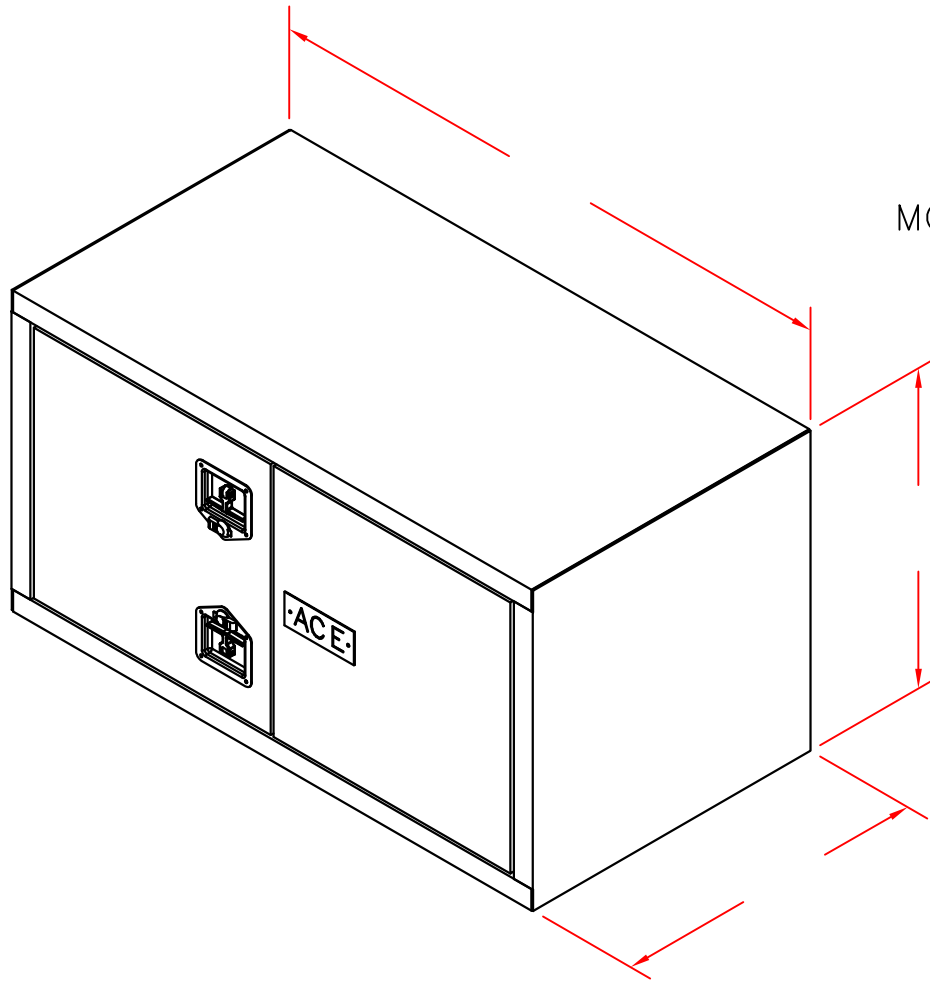
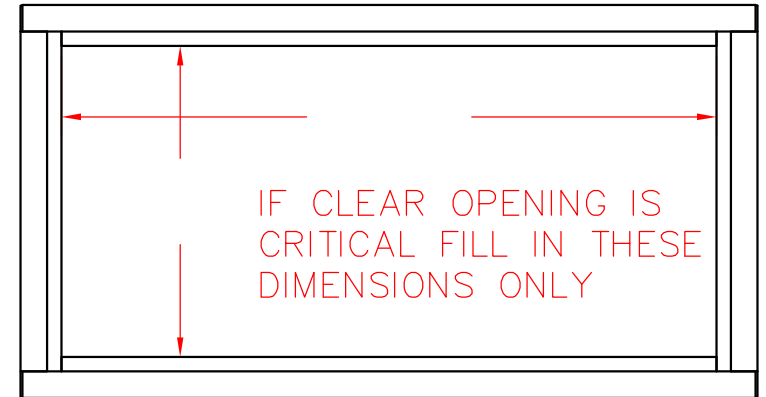


PART#

QTY

W/O#

- BODY: SMOOTH CHECKER PLATE
- DOOR: SMOOTH CHECKER PLATE
- NAME PLATE: ACE NONE
- CUSTOMER'S



- MOUNT KIT: T81 T82 NONE