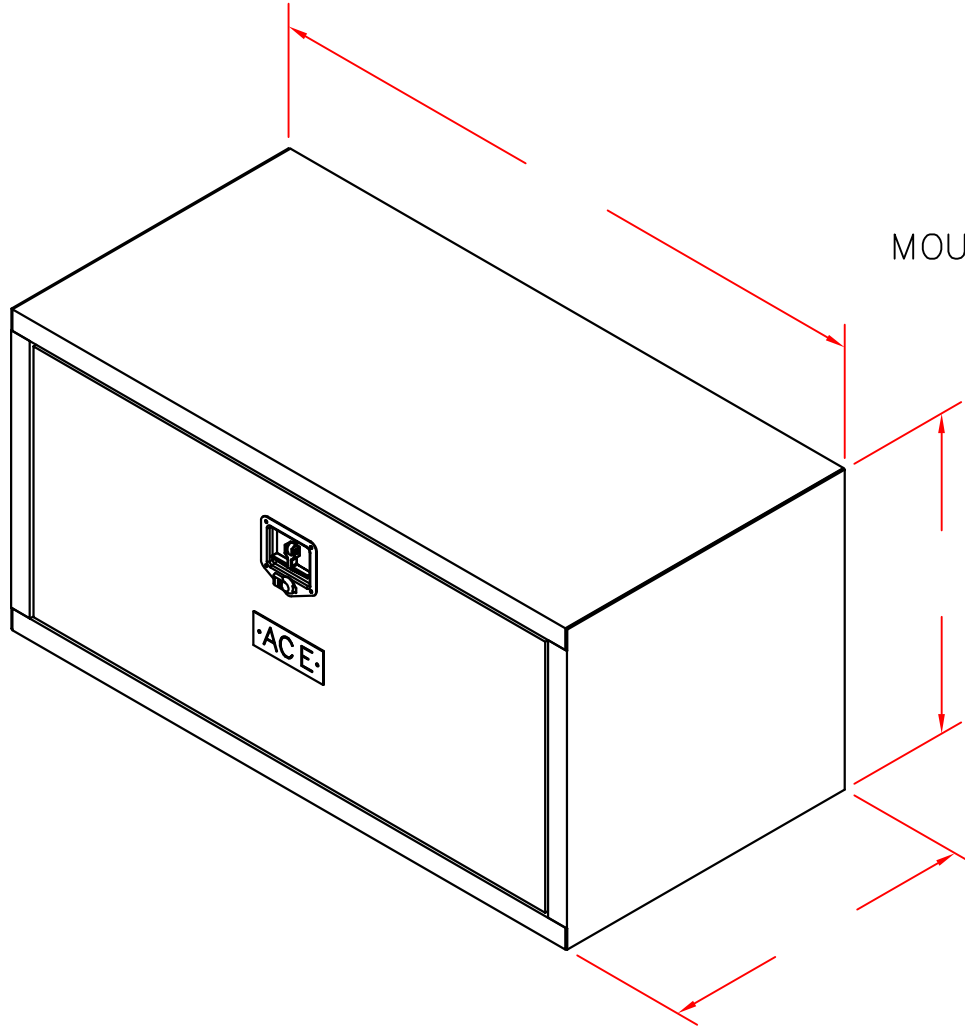
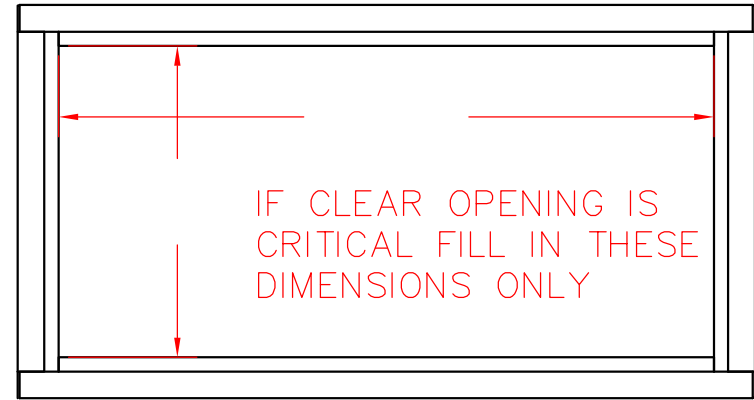


PART#

QTY

W/O#

- BODY: SMOOTH CHECKER PLATE
- DOOR: SMOOTH CHECKER PLATE
- NAME PLATE: ACE NONE
- CUSTOMER'S



- MOUNT KIT: T81 T82 NONE
- CHECK CHAINS: YES NO
- GAS STRUTS: YES NO
- MECH. PROPS: YES NO

ACE Manufacturing Inc.

DSGN BY: B. GOERTZEN	CHK'D BY: J. REID
DRWN BY: C. DRADER	DATE: JUNE 29, 2004
DWG SCALE: 1" = 12"	DWG # AB-SNGLFLSBH-FORM REV

BOTTOM HINGED
SINGLE FLUSH DOOR