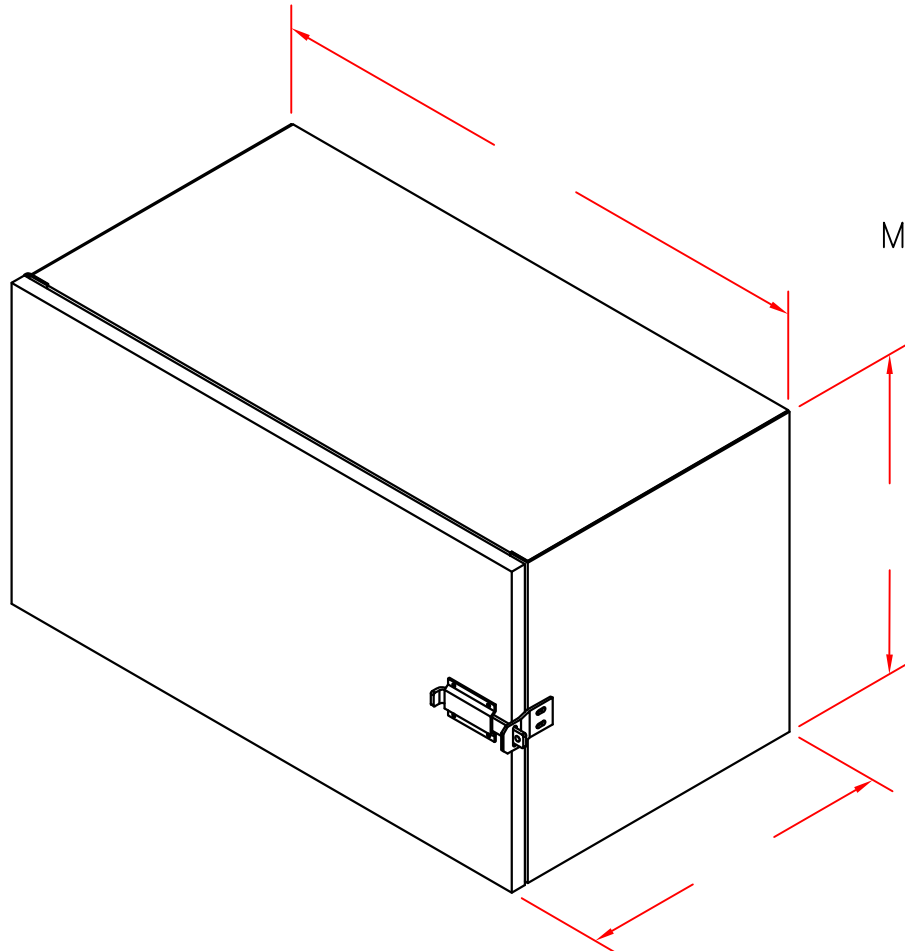
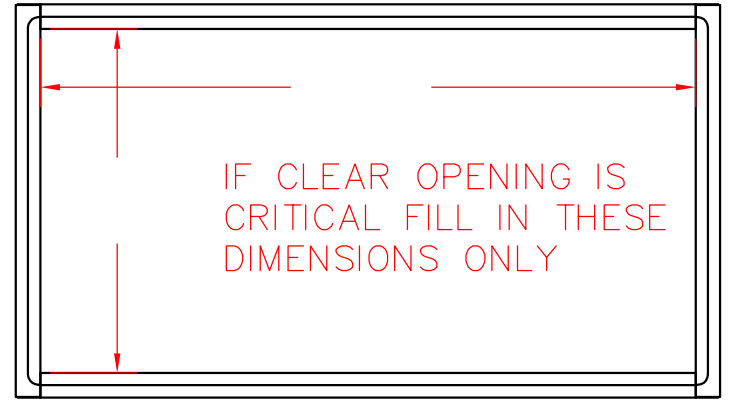


PART#

QTY

W/O#

- BODY: SMOOTH CHECKER PLATE
- DOOR: SMOOTH CHECKER PLATE
- NAME PLATE: ACE NONE
- CUSTOMER'S



- MOUNT KIT: T81 T82 NONE

NOTE: 2 SLIDE BAR LATCHES STANDARD WHEN 26" OR HIGHER

ACE Manufacturing Inc.

DSGN BY: B. GOERTZEN	CHK'D BY: J. REID
DRWN BY: C. DRADER	DATE: April 30, 2007
Modified: MikeS	DWG # AB-FDSH1SL-FORM REV

FULL DOOR SIDE HINGED
SS SLIDE BAR LATCH