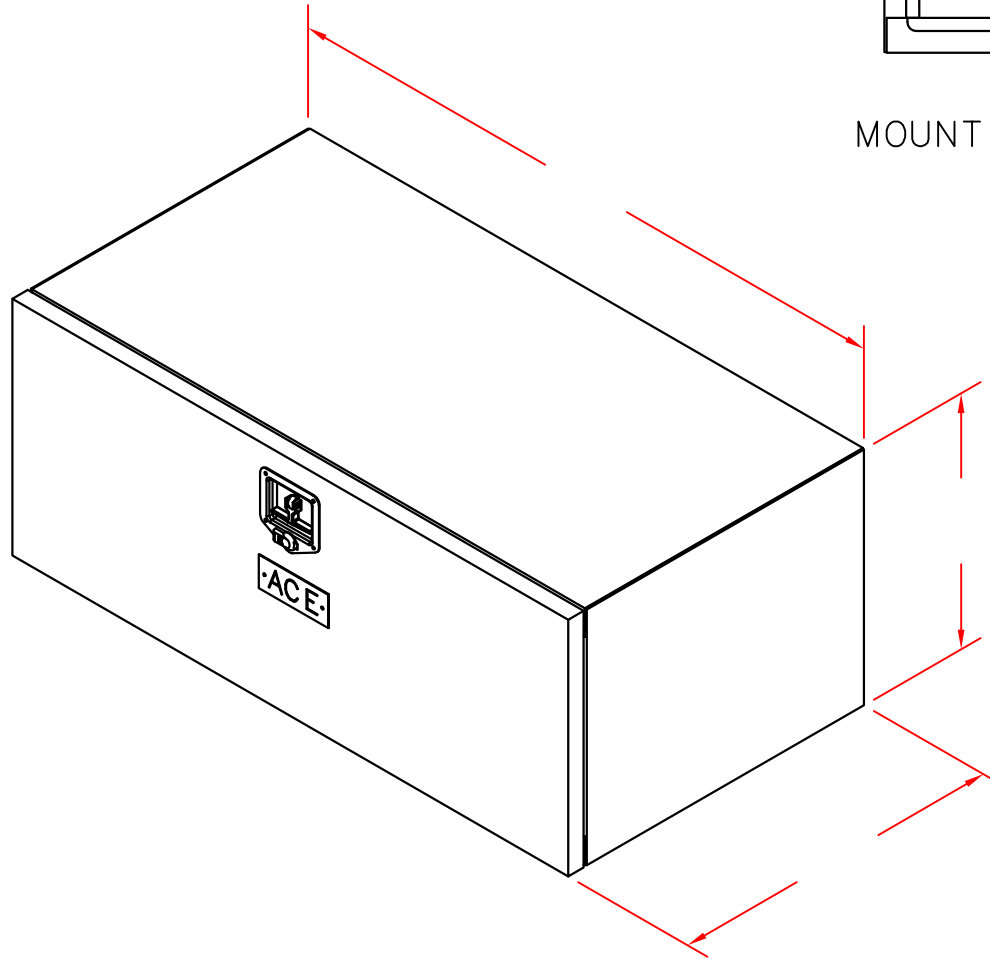
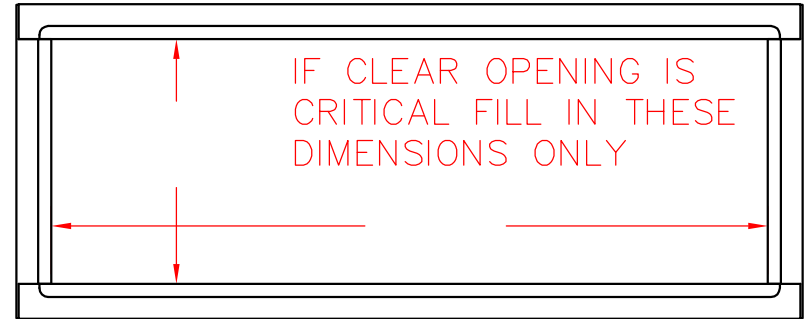


PART#

QTY

W/O#

- BODY: SMOOTH CHECKER PLATE
- DOOR: SMOOTH CHECKER PLATE
- NAME PLATE: ACE NONE



- MOUNT KIT: T81 T82 NONE
- CHECK CHAINS: YES NO
- GAS STRUTS: YES NO
- MECH. PROPS: YES NO

NOTE: 2 T-HANDLES STANDARD WHEN 48" OR LONGER