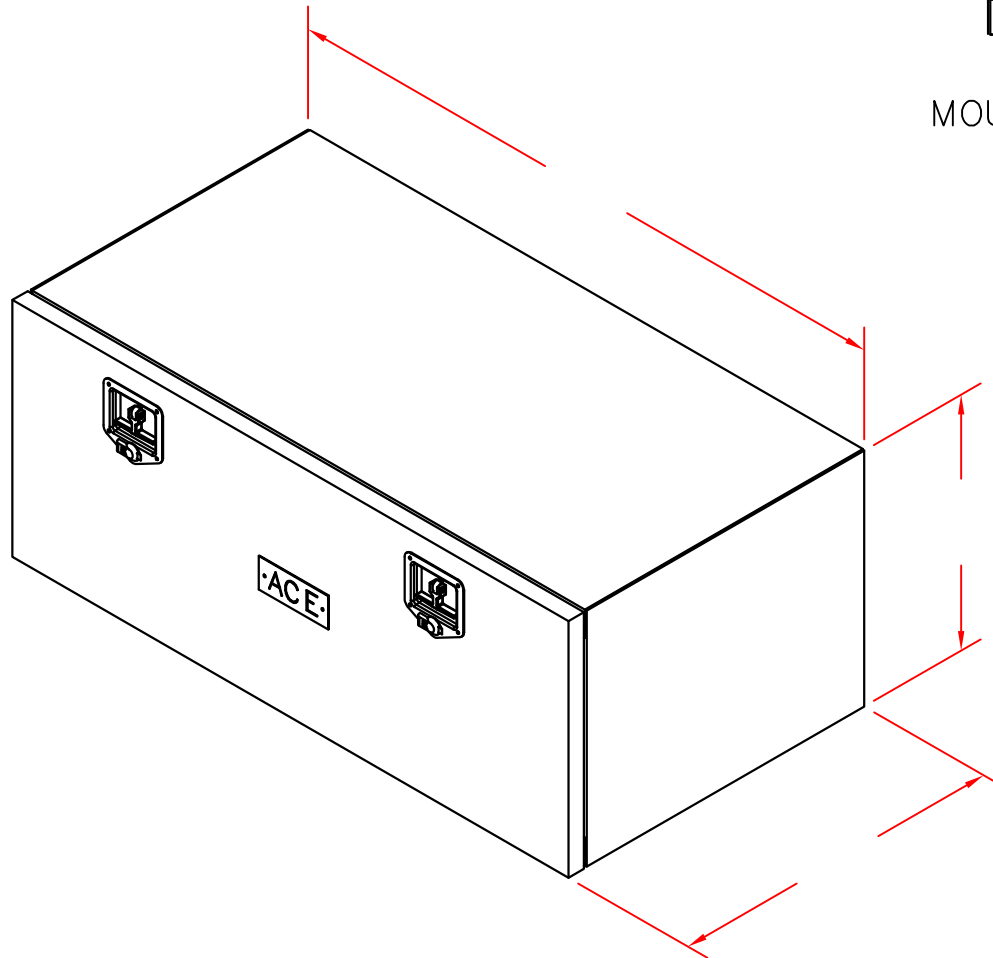
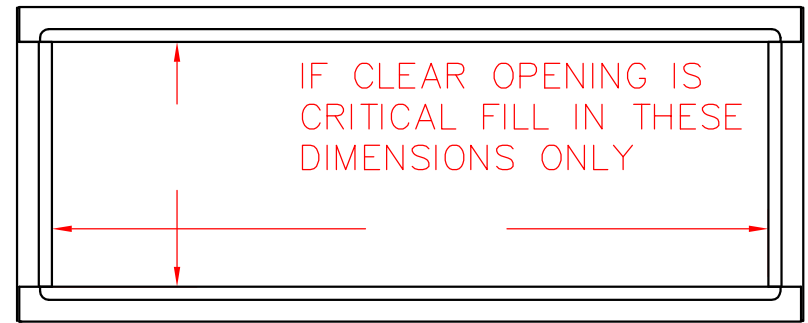


PART#

QTY

W/O#

- BODY: SMOOTH CHECKER PLATE
 DOOR: SMOOTH CHECKER PLATE
 NAME PLATE: ACE NONE
 CUSTOMER'S



- MOUNT KIT: T81 T82 NONE
 CHECK CHAINS: YES NO
 GAS STRUTS: YES NO
 MECH. PROPS: YES NO

NOTE: 2 T-HANDLES STANDARD WHEN 48" OR LONGER

ACE Manufacturing Inc.

DSGN BY: G. GOERTZEN	CHK'D BY: J. REID
DRWN BY: C. DRADER	DATE: JUNE 29, 2004
DWG SCALE: 1" = 12"	DWG # AB-FDBH2TL-FORM
	REV

FULL DOOR BOTTOM HINGED BOX