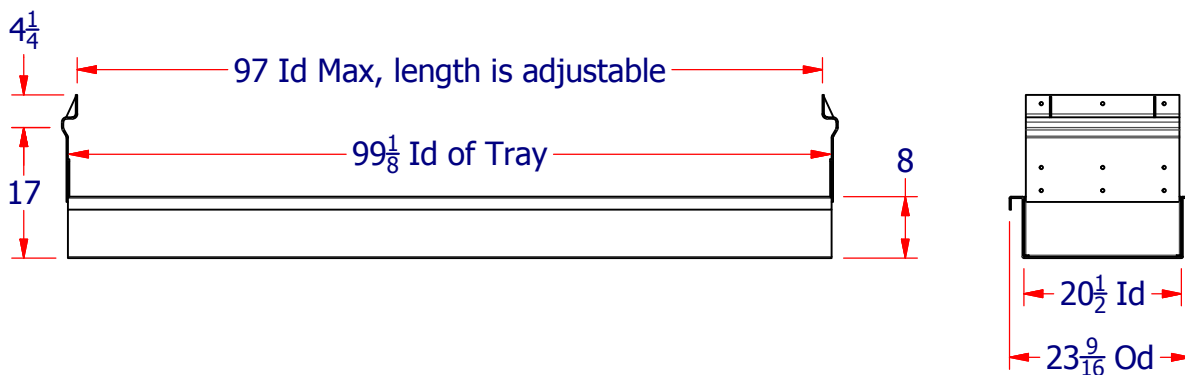
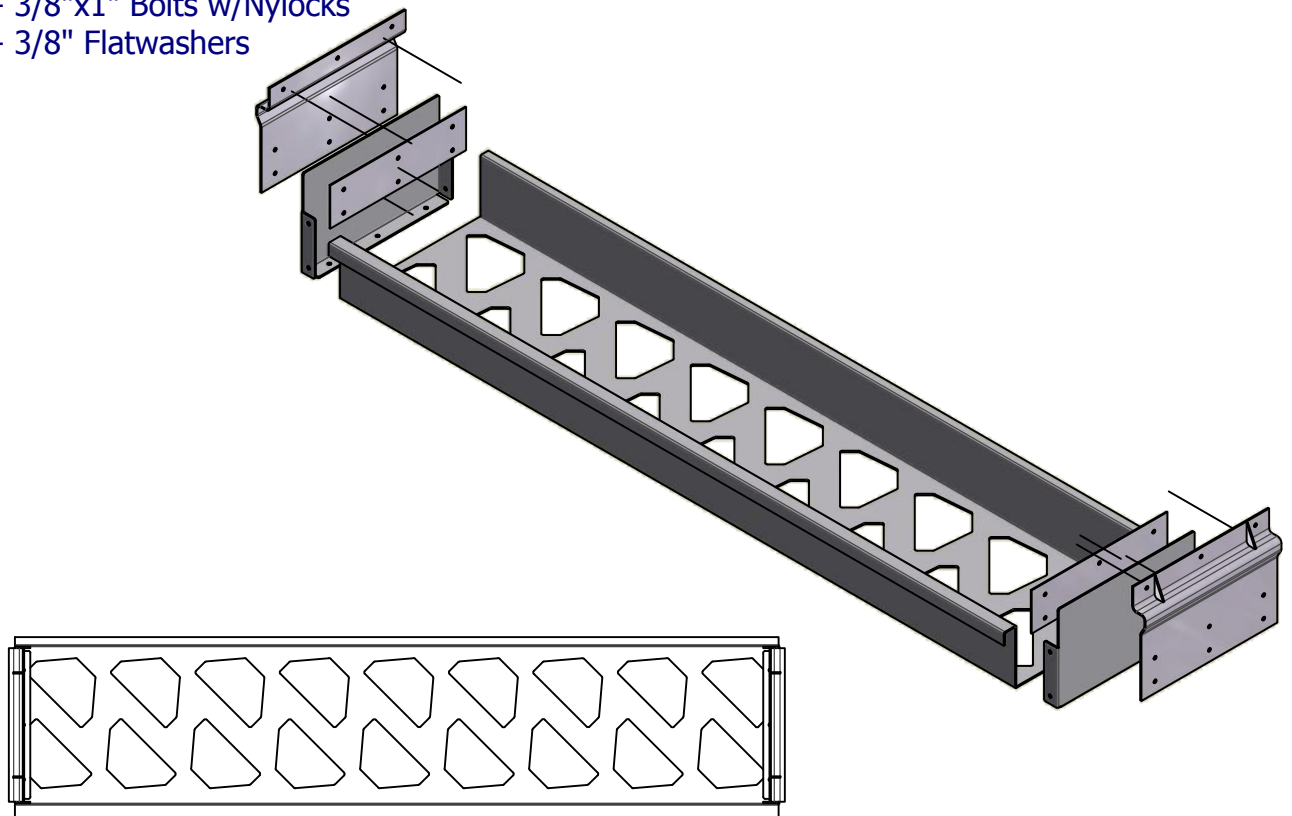




DUNNAGE TRAY

Dunnage Tray

- Aluminum construction with self-draining design
- Adjustable to fit most platform trailers both flat & drop deck
- Kit includes T82 Hanging Mount Kit
- Weight of assembly including T82's, 85 lbs.
- 14 - 3/8"x1" Bolts w/Nylocks
- 28 - 3/8" Flatwashers



ACE Manufacturing Inc. www.acemfginc.com
 Saskatoon, SK, Canada (1-866-933-3990)